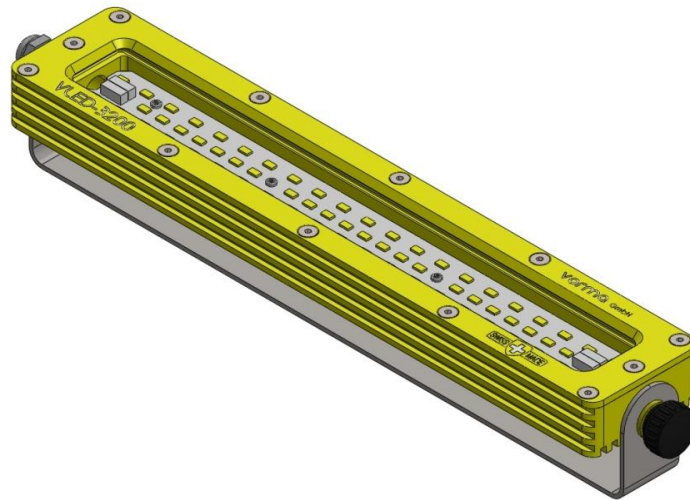


VLED 3200 24V Machine light – Installation instructions



Please take note of the installation and cable instructions before use.

VLED-3200 (Direct operation at 24VDC)

The machine lights should only be operated using a tested power pack of protection category II with SELV equivalent to 24 VDC output voltage.

Technical details of machine lighting

Areas of application	indoor lighting, tool machines, industry etc.
Operating voltage	24 VDC +/- 5%
Output	Type 15 W
Light colour	Available in 5000K, 6500K (others available on request)
Luminous flux	Type 2000 Lumen (S4)
Angle of radiation	120°
Connector cable	2 x 0.75 mm ² , L= approx. 2000 mm (standard)
Protection	IP68
Weight in kg	1.1 kg (built- in version) / 1.2 kg (bracket version)
Protective glass	ESG hardened float glass, 4mm, clear or opal glass
Casing	Anodised aluminium
Ambient temperature ta-min	- 25 °C
Ambient temperature ta-max	+ 50 °C
Storage temperature	- 40 to 80 °C
Accreditations	CE certifications

(Direct connection to the mains voltage will destroy the light)

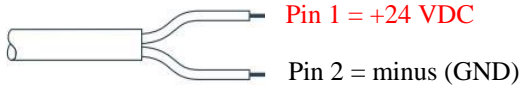
VLED-3200 (operation via power pack accessory LPF-25-24)

Areas of application	Indoor lighting, tool machines, industry etc.
Input voltage of power pack	100VAC – 230VAC, 50-60Hz
Max. Power consumption of power pack	25W
Output voltage of power pack	24VDC
Protection category of power pack	II with SELV certification

Installation instructions:

- Secure the lamps in place to ensure they remain as stable as possible.
- Poor installation of LED lights can significantly affect the lifespan due to the resultant vibration.
- Improper installation and / or use of unsuitable installation materials can result in material damage or injury to persons.
- Avoid direct sunlight.
- Operation in excess of 50°C shortens the lifespan of the LEDs.

Cable connection:



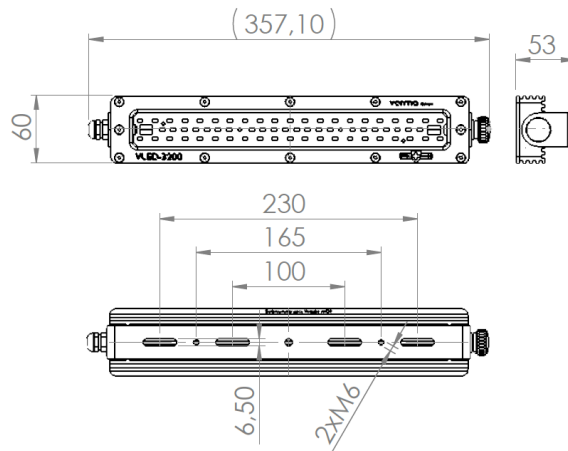
- Installation should only be carried out by **authorised personnel**.
- Only connect to **24VDC** (direct connection to the mains voltage will destroy the lights).
- Check the mains voltage to ensure that this corresponds to the nominal voltage.
- Check the polarity (incorrect connection can damage the lights).
- Keep the power supply line as short as possible.
- The cable screws should not be opened, otherwise the warranty/guarantee is rendered invalid.

Hazard information:



- Installation of the power pack should adhere to the operating instructions, local rules and regulations.
- Do not stare at the LEDs at close range.

Dimensions with mounting bracket:



Dimensions with built-in versions:

